



Installation, Operation and Service Manual

KLR / KLF series

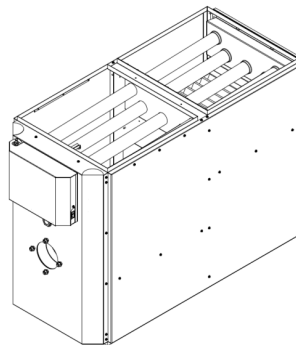
85% + EFFICIENCY

OIL FIRED LOWBOY FURNACE

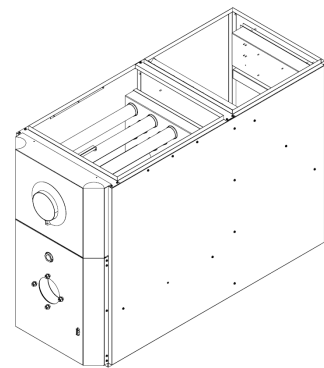
KLR-100

KLR-200

KLF-200



KLR-100



KLF-200

Illustration



INSTALLATIONS MUST MEET ALL LOCAL AND FEDERAL CODES THAT MAY DIFFER FROM THIS MANUAL

***Please read the manual in its entirety before beginning installation.
This manual must be kept with the furnace for future reference.***

GRANBY FURNACES INC.

PO Box 637
12118 Hwy 209
Parrsboro Nova Scotia Canada
B0M 1S0
902-254-2543

www.granbyindustries.com

02-12-2014

G2012-E1 Rev.G

TABLE OF CONTENTS

1.0	IMPORTANT SAFETY ADVICE	2
2.0	PRODUCT INFORMATION	3
3.0	FURNACE INSTALLATION	7
4.0	ACCESSORIES INSTALLATION	9
5.0	BURNER INSTALLATION AND SPECIFICATIONS	11
	5.1 ASSEMBLY & INSTALLATION OF BURNER	11
	5.2 SET BURNER FOR EFFICIENT OPERATION	12
	5.3 KLR TECHNICAL INFORMATION	14
	5.4 KLF TECHNICAL INFORMATION	15
6.0	FURNACE OPERATION AND SETTINGS	16
	6.1 BLOWER SETTING	16
	6.2 FAN TIMER CONTROL BOARD (ST9103 A 1028)	17
	6.3 (ST9103 A 1028) CONTROL BOARD SEQUENCE	18
	6.4 SERVICING – FAN TIMER (ST9103 A 1028)	19
7.0	SERVICE	21
8.0	ELECTRICAL / WIRING DIAGRAMS	24
	HEATING & COOLING – RIELLO BURNER	24
	HEATING & COOLING – BECKETT BURNER	25
	HEATING ONLY (2 WIRES THERMOSTAT)	27
9.0	EXPLODED PARTS VIEW	28
	KLR-100	28
	KLR-200	30
	KLF-200	32
10.	START-UP TEST RESULTS	34

1.0 IMPORTANT SAFETY ADVICE

Please read and understand this manual before installing, operating or servicing the furnace. To ensure you have a clear understanding of the operating procedures of the unit please take the time to read the **IMPORTANT SAFETY ADVICE** section of this manual.

WARNINGS

NEVER burn garbage or paper in the unit.

NEVER store combustible material around it.

DO NOT attempt to start burner when excess oil has accumulated, when unit is full of vapour or when heat exchanger is very hot.

DO NOT use gasoline, crankcase draining's or any oil containing gasoline.

CAUTION

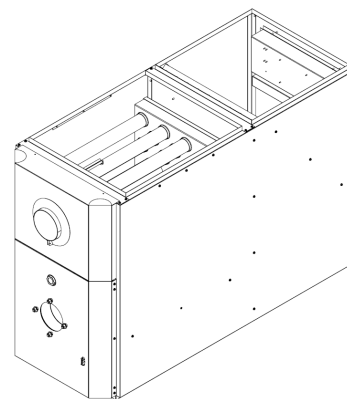
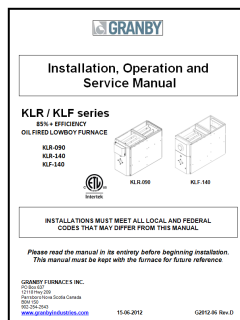
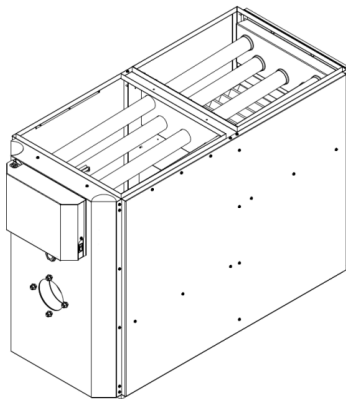
DO NOT START THE BURNER UNTIL ALL FITTINGS, COVERS AND DOORS ARE IN PLACE. **DO NOT** TAMPER WITH THE FURNACE OR CONTROLS, CALL A QUALIFIED BURNER TECHNICIAN. **DO NOT** STORE OR USE GASOLINE OR OTHER FLAMMABLE VAPOURS AND LIQUIDS IN THE VICINITY OF THIS UNIT OR ANY OTHER APPLIANCE.

DANGER

Do not use this furnace as a construction heater. Use of this furnace as a construction heater exposes it to abnormal conditions, contaminated combustion air and lack of air filtering. Failure to follow this warning can lead to premature furnace failure which could result in a fire hazard and/or bodily harm and/or material damage.

IMPORTANT

This manual contains instructional and operational information for the KLR / KLF OIL-FIRED FURNACE. Read the instructions thoroughly before installing furnace or starting the burner. Consult local authorities about your local FIRE SAFETY REGULATIONS. All installations must be in accordance with local state or provincial codes. Improper installation will result in voiding of warranty.



2.0 PRODUCT INFORMATION

CLEARANCE (minimum) TO COMBUSTIBLES

Top of Supply Plenum	1"	(25 mm)
Front (Maintenance)	24"	(610 mm)
Rear (Maintenance)	24"	(610 mm)
Side – Non-Access	1"	(25 mm)
Side – Access maintenance	24"	(610 mm)
Flue Pipe	9"	(229 mm)
Floor (Can be installed directly on combustible or non-combustible)		

DRAFT PRESSURE

Breech draft pressure -0.01" wc minimum

AIR/BLOWER DATA

Maximum external static pressure	0.5" wc
Maximum cooling unit capacity	3.0 tons... KLR-100 5.0 tons... KLR-200 5.0 tons... KLF-200
Maximum air temperature rise	See pages 14 (KLR), 15(KLF) and 35
High Limit temperature	185°F
Thermostat anticipator	See thermostat instructions

MOTOR/BLOWER

KLR-100: 1/2 hp 4 Speed / G10-8 DD or 1/2 hp ECM / G10-8
KLR-200: 3/4 hp 4 Speed / GT12-10DD or 3/4 hp ECM / GT12-10

KLF-200: 3/4 hp 4 Speed / GT12-10DD or 3/4 hp ECM / GT12-10
1/2 hp ECM /GT12-10 with a firing rate of 0.75 USGPH

FAN/HIGH LIMIT CONTROL

Honeywell ST9103A1028 Fan Center & Thermo-Disk (7" stem)

THERMOSTAT

Any wall thermostat

FUEL

Not heavier than No. 2 furnace oil.

ELECTRICAL – 120 Volts, 60 Hz

Canada Less than 12 amps, circuit protection 15 amps.
USA 13.3 amps, circuit protection 20 amps.

FLUE-PIPE CONNECTION

5" Chimney or Direct Vent DVS Granby kit

CLEANOUTS

Rear Cover & Burner Opening

AIR FILTERS

KLR-100 20" x 20" x 2" non pleated UL approved
KLR-200 15" x 20" x 2" & 20" x 20" x 2" non pleated UL approved
KLF-200 15" x 20" x 2" (2X) non pleated UL approved

PLENUM DIMENSIONS (KLR-100)

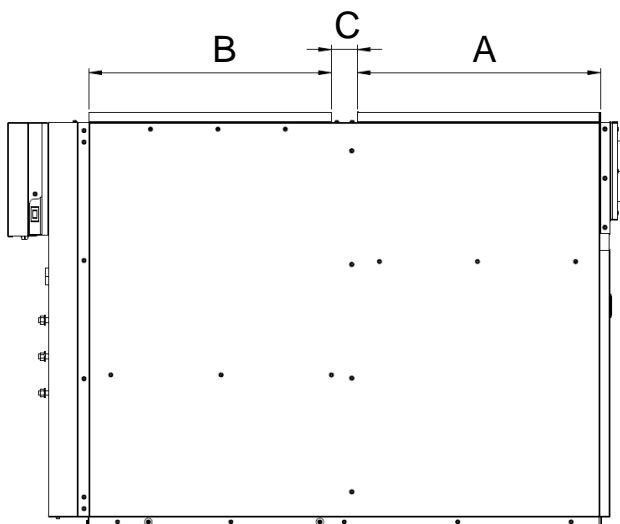
Cold air return (A) 20" x 20" (508 x 508 mm)
Hot air supply (B) 20" x 20" (508 x 508 mm)
Plenum spacing (C) 2-1/8" (54 mm)

PLENUM DIMENSIONS (KLR-200)

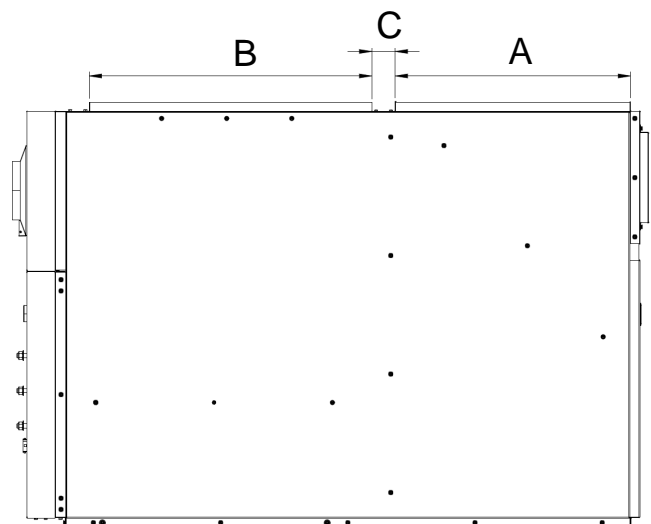
Cold air return (A) 20" x 22" (508 x 559 mm)
Hot air supply (B) 20" x 24" (508 x 610 mm)
Plenum spacing (C) 2-1/8" (54 mm)

PLENUM DIMENSIONS (KLF-200)

Cold air return (A) 20" x 20" (508 x 508 mm)
Hot air supply (B) 20" x 24" (508 x 610 mm)
Plenum spacing (C) 2" (51 mm)



KLR



KLF

DIMENSIONS (KLR-100)

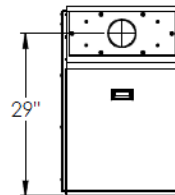
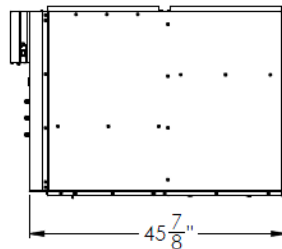
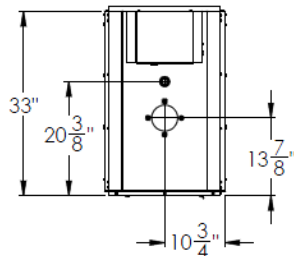
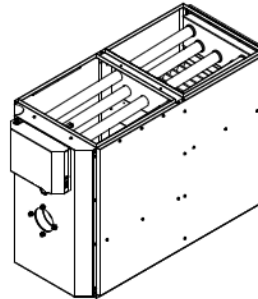
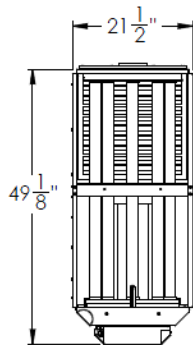
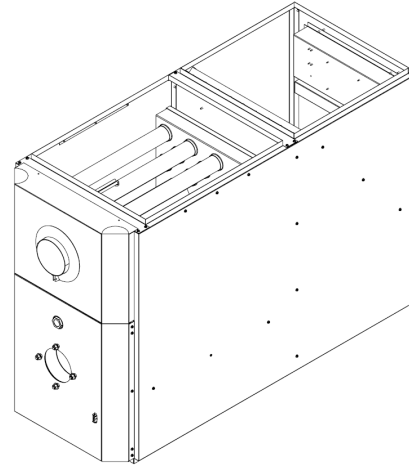
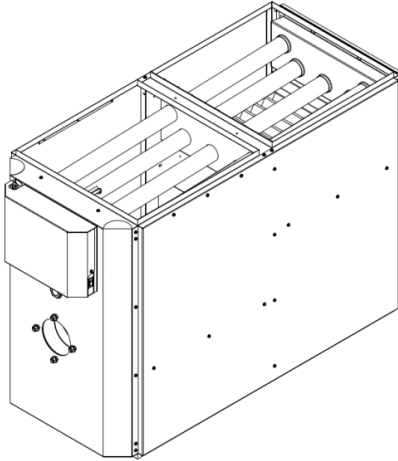
Depth 49-1/8" (1248 mm)
Height 33" (838 mm)
Width 21-1/2" (546 mm)

DIMENSIONS (KLR-200)

Depth 55-1/8" (1400 mm)
Height 33" (838 mm)
Width 21-1/2" (546 mm)

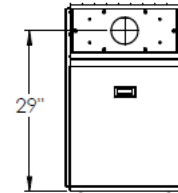
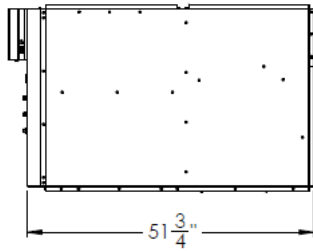
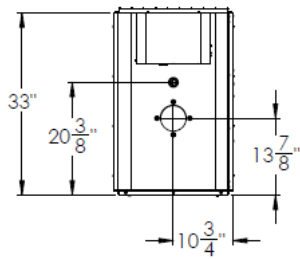
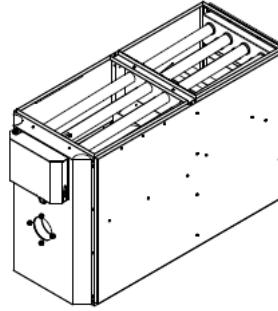
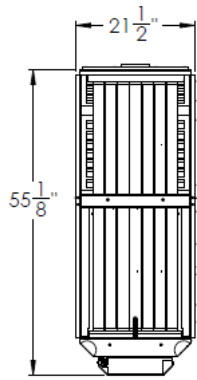
DIMENSIONS (KLF-200)

Depth 52-5/8" (1337 mm)
Height 35-1/8" (892 mm)
Width 21-1/2" (546 mm)

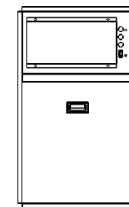
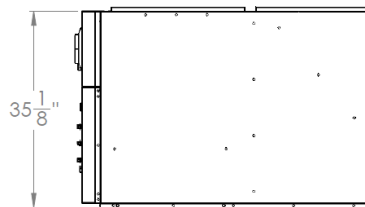
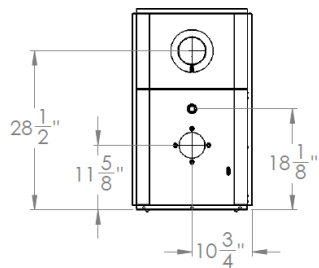
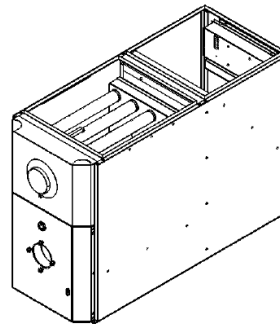
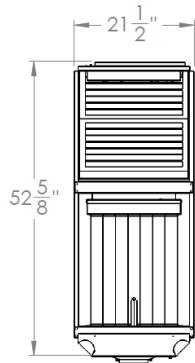


KLR-100 - DIMENSIONS

Dimensions are in inches



KLR-200 – DIMENSIONS
Dimensions are in inches



KLF-200 – DIMENSIONS
Dimensions are in inches

3.0 FURNACE INSTALLATION

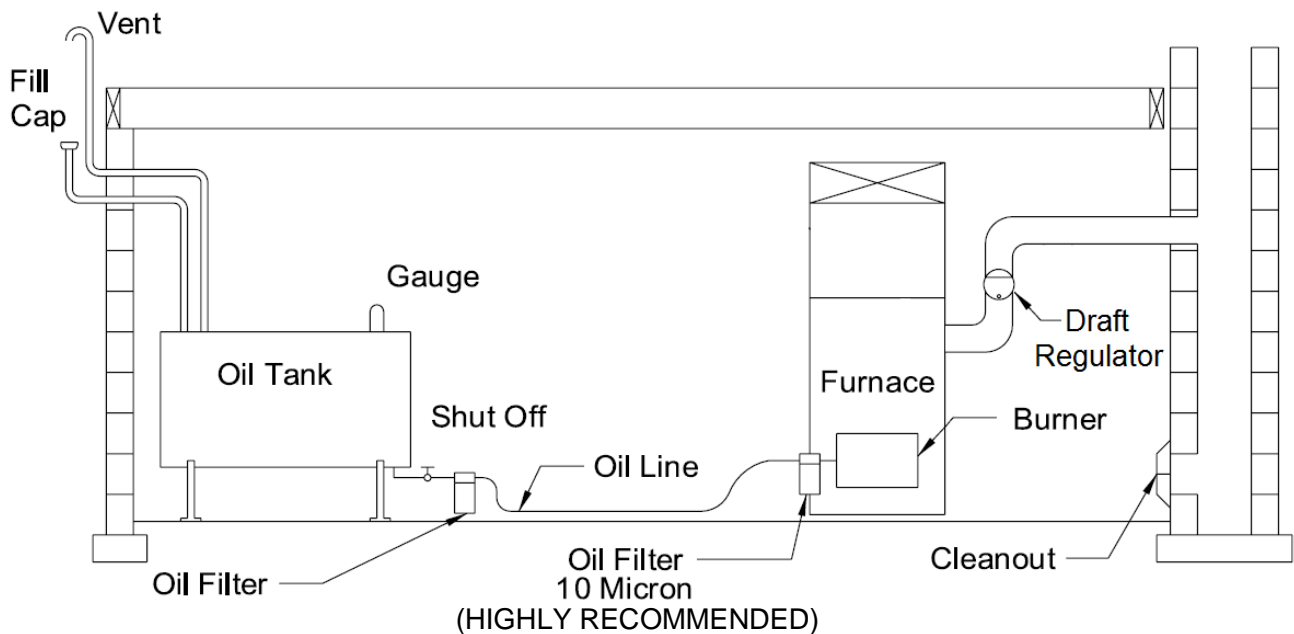
OIL TANK & PIPING

Tank installation must conform to local requirements.

Install according to the applicable code such as CSA B139 and NFPA 31. Minimize number of connections in suction line and make all connections air tight. Use a pipe joint compound suitable for oil on all pipe threads. To reduce possibility of air leaks, tighten stem packing gland nut on any valves installed in the suction line. Also, be sure the oil filter is tight, as filter gaskets often shrink. Check for kinks in the oil lines as well as for possible air pockets and for loose connections. Two filters as shown below are recommended. Optional tank gauge protectors and outlet protectors are available at your local dealer.

ONE PIPE SYSTEM Where the tank outlet is above the burner and when the oil flows by gravity to the oil pump, a single-stage fuel unit with a single oil line to the pump may be used.

TWO PIPE SYSTEM When a single line is not suitable, use double line or contact your dealer for special oil line fittings. Install by-pass plug on burner fuel pump as specified in the burner manual.



**REAR FLUE FURNACE ILLUSTRATION
Oil Tank and Piping**

PLACEMENT & VENTING

Furnace installation shall conform to the required installation code for oil-fired equipment (USA: NFPA 31, Canada: CSA B139).

FLOOR SUPPORT COMBUSTIBLE – If required, support furnace on five (5) concrete blocks. Make sure the center of the furnace base is supported. For a furnace installed on a combustible floor, consult the applicable code and authorities having jurisdiction on this application. The floor must support the weight.

CHIMNEY/VENT Connect the furnace to a chimney/vent system of size and condition required by the NFPA 31 (USA) or CSA B139 (Canada) code. Furnace is approved for factory built chimney type “L” vents. Breech is certified for 5” vent pipe. Keep vent/flue pipe as short as possible with min. 1/4” per foot upward slope. Vent/flue pipes **MUST NOT** pass through a ceiling. Maximum flue gas temperature is 575°F.

CONDENSATION **If you have condensation in your chimney, make sure that the chimney size is according to the tables in CSA B139 / NFPA 31. The temperature at the base of the chimney can be increased by insulating the flue-pipe between the furnace and the chimney base. If this is not sufficient, consider cutting or removing some flue baffles in the furnace. BE AWARE THAT REMOVING BAFFLES REDUCES THE UNIT’S EFFICIENCY AND A MODIFIED UNIT IS NO LONGER ENERGY STAR APPROVED.**

COMBUSTION & VENTILATION AIR Install openings and ductwork to the furnace room providing fresh outside combustion and circulation air for cooling the furnace casing, as installation code requires (USA NFPA 31, Canada CSA B139). If installed in a closed room, provide two free air ventilation openings of at least 8” x 12” (96 sq. in.) free flow area near ceiling and floor. Oil burners must have sufficient air to allow vent systems to operate properly.

BREECH DRAFT Use approved draft control supplied for 5” pipe. Set draft pressure of the flue to -0.01” wc.

ELECTRICAL Wire according to the National Electrical Code (Canadian Electrical Code in Canada) or local codes. Use a separately fused #12 electrical line directly from the service panel to the furnace junction box. Install a manual shut-off switch at the door or stairway to furnace room so furnace can be shut off remotely.

CLEARANCES Before placing unit, review installation clearances as shown on furnace operating decal or section **PRODUCT INFORMATION** (page 3).

LOCATION Install the furnace close to chimney and central to ductwork.

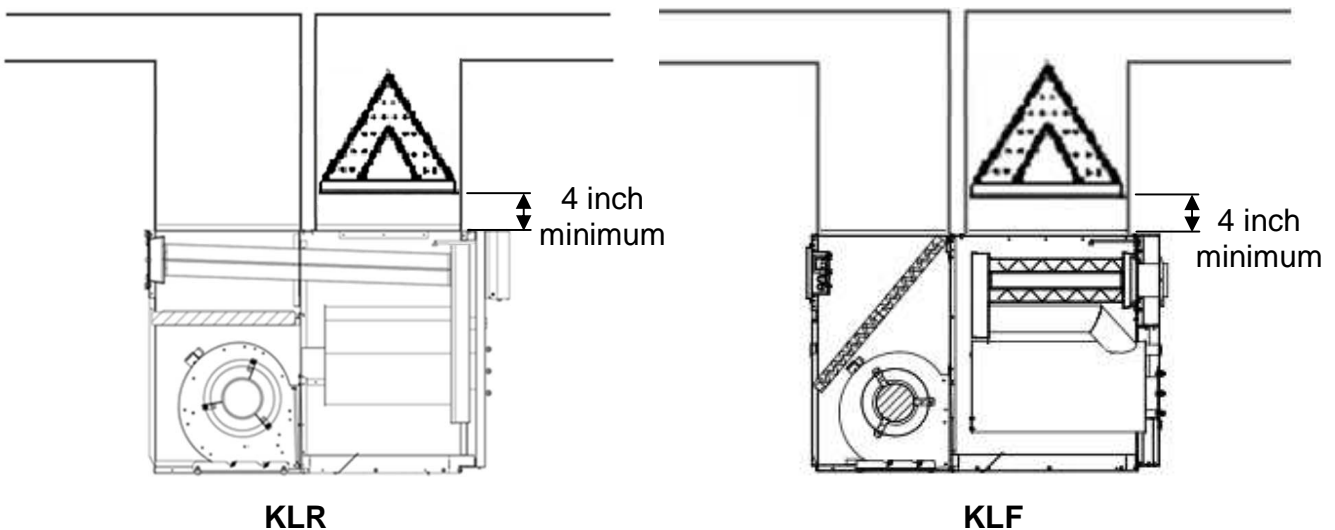
System Test Procedure (BVSO)

- 1) With the power re-established, block the chimney or vent pipe downstream of the switch.
- 2) Adjust the thermostat to call for heat.
- 3) Once the heating system has started the blocked vent switch should shut down the burner within 10 minutes or sooner.
- 4) Once the system has cooled, the blocked vent switch can manually be reset.
- 5) This procedure should be tested a second time.
- 6) After testing the blocked vent switch the chimney should be cleared of obstruction and the heating system should be tested over a long run cycle.

If the block vent switch shuts down the system, check to ensure there is enough draft in the chimney and venting pipes.

AIR CONDITIONING

An air conditioning coil may be installed on the supply side **only**. Coils installed on the return side will cause condensation on the heat exchanger; this will shorten the heat exchanger life and may cause products of combustion to enter the house. Wire as per wiring label and diagram. **Height of the coil above the unit supply shall be at least 4" (102 mm).**



See A/C coil Manufacturers Requirements.

To check the AC coil total air flow resistance, see procedure at page 35.

HUMIDIFIER

If a humidifier is installed ensure that no water can drip or run from it into the furnace. This would cause deterioration and void the furnace warranty.

5.0 BURNER INSTALLATION AND SPECIFICATIONS

5.1 ASSEMBLY & INSTALLATION OF BURNER

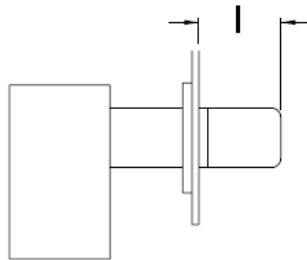
ASSEMBLY Check that the burner model is correct for furnace rating required. Assemble as per burner manufacturer's instructions.

SELECT NOZZLE Select oil input, nozzle and burner configuration as shown on furnace operating decal.

INSTALL NOZZLE Install selected nozzle, check for clean seating and tighten in nozzle adaptor.

ELECTRODES See burner manufacturer's instructions for correct setting

INSERTION



BURNER INSERTION (I)

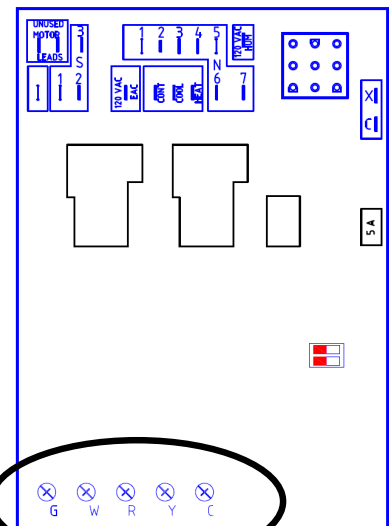
	in	mm
RIELLO	2 1/2	63
BECKETT	2 1/2	63

MOUNT BURNER Tighten top nut first so burner tips down slightly. The burner is always installed in an upright position by four (4) nuts.

PUMP BY-PASS PLUG For one pipe system factory setting (no plug).

WIRING Refer to wiring diagram for correct burner connections (see page 24 or 25).

THERMOSTAT Connect the thermostat wires to the fan timer control board (ST9103).



5.2 SET BURNER FOR EFFICIENT OPERATION

BURNER SETTING Use burner settings in the table on page 14 (KLR) and 15 (KLF) or operating decal as a guide to set burner, particularly for nozzle changes. **Those settings are only starting points for the adjustments and are not meant as final settings.**

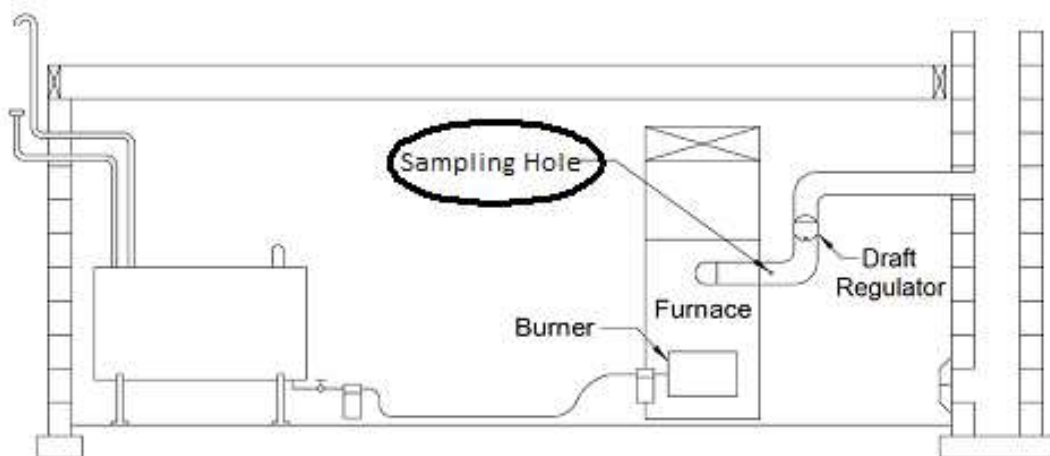
On Beckett AFG burner, make sure the correct retention head and static disk are installed on the burner for the desired firing rate. The head is held in place by two screws at the end of the burner blast tube. From the burner technical information table on page 14 (KLR) and 15 (KLF), the head is always after the AFG designation and the static disk after the head. For example, the AFG L2 3" 3/8 means an AFG chassis burner with a L2 head and a static disk of 3" 3/8.

PUMP PRESSURE Refer to the table on page 14 (KLR) and 15 (KLF) or operating decal.

AIR SETTING Use air settings on page 14 (KLR) and 15 (KLF) as a guide to set air adjustment. **Those settings are only starting points for the adjustments and are not meant as final settings.**

DRAFT REGULATOR The draft regulator should be installed at least 3 flue pipe diameter from breeching or elbow of the furnace.

SAMPLING HOLE On smoke/vent pipe, drill a 3/8" round opening. The hole should be at least 2 flue pipe diameter from breeching or elbow of the furnace.

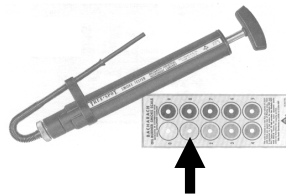


FRONT FLUE FURNACE ILLUSTRATION

DRAFT PRESSURE Using an accurate draft meter; adjust the draft control to obtain a minimum of -0.01" wc draft pressure at the breech sampling hole. The draft regulator's adjustments should be made after furnace has been running under heating mode for at least 5 minutes.

COMBUSTION TEST All your tests must be done with the burner cover on (Riello)

COMBUSTION SETTING/ EFFICIENCY After 10 minutes of normal operation, take a smoke test and adjust the burner to obtain a reading of "1" on the smoke scale. Take a CO₂ test and note the result.



To reach the maximum smoke test value, a 10 full slow steady pump action is required.

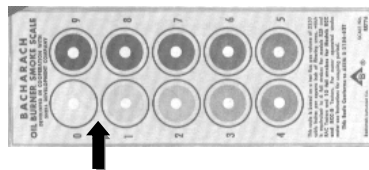
Open the air band adjustment on the burner to reduce your CO₂ lecture by 1%.

CO₂ test can be done mechanically or electronically

(18 full slow steady pump action)



You now have a perfect "slight trace" of smoke.



Relation between % of CO₂ and O₂

CO ₂ (%)	O ₂ (%)	Excess Air (%)
13.5	2.6	15.0
13.0	3.3	20.0
12.5	4.0	25.0
12.0	4.6	30.0
11.5	5.3	35.0
11.0	6.0	40.0

5.3 KLR TECHNICAL INFORMATION

KLR Series

	KLR-100			KLR-200		
--	---------	--	--	---------	--	--

Riello Burner

	F3			F5		
Unit Model	KLR-E1-*067-03	KLR-E1-*079-03	KLR-E1-*091-03	KLR-E3-*109-05	KLR-E3-*127-05	KLR-E3-*139-05
Firing Rate (USGPH)	0.55	0.65	0.75	0.90	1.05	1.15
Input (BTU/h)	77,000	91,000	105,000	126,000	147,000	161,000
Output (BTU/h)	67,000	79,000	91,000	109,000	126,000	139,000
Nozzle	0.40 70A	0.60 70W	0.65 70W	0.75 80W	0.85 70W	1.00 70W
Pump Pr. 2 pipes sys. (psi)	190	145	145	145	165	145
Pump Pr. 1 pipe sys. (psi)	190	165	165	165	175	165
Turbulator Setting	0	0	0	0	1	2
Air Gate Adjustment	1.75	2	2.35	2	2.25	2.25
Energy Star Approved	YES	YES	YES	YES	YES	YES
AFUE (%)	86.80	87.00	86.20	88.00	87.40	86.80

Beckett Burner

	AFG L2 3-3/8			AFG F3 2-3/4		
Unit Model	KLR-G2-*066-03	KLR-G2-*078-03	KLR-G2-*090-03	KLR-G2-*102-05	KLR-G2-*119-05	KLR-G2-*132-05
Firing Rate (USGPH)	0.55	0.65	0.75	0.85	1.00	1.10
Input (BTU/h)	77,000	91,000	105,000	119,000	140,000	154,000
Output (BTU/h)	66,000	78,000	90,000	102,000	119,000	132,000
Nozzle	0.50 60W	0.60 60W	0.65 60W	0.75 70B	0.85 70B	1.00 70B
Low Firing Rate Baffle	NO	NO	NO	YES	YES	YES
Pump Pressure (psi)	145	145	145	145	145	145
Air Band (Gross)	N/A	N/A	N/A	1	2	2
Air Shutter (Fine)	4	5.5	7	7	6	10
Energy Star Approved	YES	YES	YES	YES	YES	YES
AFUE (%)	87.00	87.10	86.30	87.50	87.20	86.50

CO2 (%)	12.5	13.5	13.5	12.5	13.5	13.5
----------------	-------------	-------------	-------------	-------------	-------------	-------------

General Information

PSC motor info

Temperature Rise (°F)	55 – 85	55 – 85	55 – 85	55 – 85	55 – 85	55 – 85
Blower Speed (0.2" wc)	M-LOW	M-HIGH	M-HIGH	M-LOW	M-HIGH	M-HIGH
Blower Speed (0.5" wc)	M-HIGH	M-HIGH	HIGH	M-HIGH	HIGH	HIGH

Energy Star ECM motor (0.2" wc to 0.5" wc static pressure)

Temperature Rise (°F)	40-70	45-75	55-85	55-85	55-85	60-85
Blower Speed	M-LOW	M-LOW	M-LOW	M-LOW	MEDIUM	M-HIGH

Static Pressure at 0.2" WC / 0.5" WC

Blower Speed	PSC 1/2 hp		PSC 3/4 hp		Blower Speed	ECM 1/2 hp		ECM 3/4 hp	
	0.2" wc	0.5" wc	0.2" wc	0.5" wc		0.2" wc	0.5" wc	0.2" wc	0.5" wc
HI	1375	1275	2120	2030	HI	1300	1230	2000	1910
MHI	1250	1170	1940	1875	MHI	1225	1160	1900	1835
MED	---	---	---	---	MED	1140	1050	1690	1660
MLO	1100	1075	1710	1650	MLO	1025	980	1610	1575
LO	875	850	1150	1050	LO	775	750	1060	1010

(* In the Unit Model number, is specific information of the product for administration only.

5.4 KLF TECHNICAL INFORMATION

KLF Series

KLF-200

Riello Burner

F5

Unit Model	KLF-E3-*093-03	KLF-E3-*102-05	KLF-E3-*119-05	KLF-E3-*132-05
Firing Rate (USGPH)	0.75	0.85	1.00	1.10
Input (BTU/h)	105,000	119,000	140,000	154,000
Output (BTU/h)	93,000	102,000	119,000	132,000
Nozzle	0.65 70W	0.75 70W	0.85 70W	1.00 70W
Pump Pr. 2 pipes sys. (psi)	145	145	165	145
Pump Pr. 1 pipe sys. (psi)	165	165	175	165
Turbulator Setting	0	0	1	2
Air Gate Adjustment	1.75	2	2.25	2.25
Energy Star Approved	YES	YES	YES	YES
AFUE (%)	88.60	87.50	87.30	86.50

Beckett Burner

AFG F3 2-3/4

Unit Model	KLF-G2-*093-03	KLF-G2-*102-03	KLF-G2-*119-03	KLF-G2-*132-05
Firing Rate (USGPH)	0.75	0.85	1.00	1.10
Input (BTU/h)	105,000	119,000	140,000	154,000
Output (BTU/h)	93,000	102,000	119,000	132,000
Nozzle	0.65 70W	0.75 70B	0.85 70B	1.00 70W
Low Firing Rate Baffle	YES	YES	YES	YES
Pump Pressure (psi)	145	145	145	145
Air Band (Gross)	0	1	2	2
Air Shutter (Fine)	4	7	6	10
Energy Star Approved	YES	YES	YES	YES
AFUE (%)	87.50	86.60	86.30	86.30

CO₂

12.5

13.5

13.5

12.5

General Information

PSC motor info

Temperature Rise (°F)	55 - 85	55 - 85	55 - 85	55 - 85
Blower Speed (0.2" wc)	M-LOW	M-HIGH	HIGH	HIGH
Blower Speed (0.5" wc)	M-LOW	M-HIGH	M-HIGH	HIGH

Energy Star ECM motor (0,2" wc to 0,5" static pressure)

Temperature Rise (°F)	45-75	52-80	55-85	55-85
Blower Speed	M-LOW	M-LOW	MEDIUM	MED-HI

Static Pressure at 0.2" WC / 0.5" WC

Blower Speed	PSC 3/4 hp		ECM 1/2 hp		ECM 3/4 hp	
	0.2" wc	0.5" wc	0.2" wc	0.5" wc	0.2" wc	0.5" wc
HI	2120	2030	1300	1230	2000	1910
MHI	1940	1875	1225	1160	1900	1835
MED	-	-	1140	1050	1690	1660
MLO	1710	1650	1025	980	1610	1575
LO	1150	1050	775	750	1060	1010

(* In the Unit Model number, is specific information of the product for administration only.

6.0 FURNACE OPERATION AND SETTINGS

SHUTTING FURNACE DOWN

POWER OFF Turn off main power breaker or disconnect.

FUEL OFF Shut off manual fuel supply valve.

Always keep manual fuel supply valve shut off if the burner is shut down for an extended period of time.

RESTARTING FURNACE

Follow this procedure before restarting a unit that has been shut down for an extended period of time.

INSPECTION Have the furnace/system serviced and inspected by a **qualified technician**.

FUEL Turn on fuel supply and check that there are no leaks.

POWER Turn on power and check that the furnace starts and operates as usual.

OPERATION If the furnace/system fails to operate or operates in an unusual manner, call your service technician. If the burner fails to operate at any time, call a qualified burner technician.

6.1 BLOWER SETTING

Ensure power is off when adjusting blower setting. For heating, use the blower speeds shown on the furnace specifications to give a temperature rise according to the technical information tables on page 14 (KLR) and 15 (KLF). The Lo blower speed can be used for air circulation when heating or cooling are not required. Set blower speeds to match the installation requirements.

FAN & LIMIT CONTROL

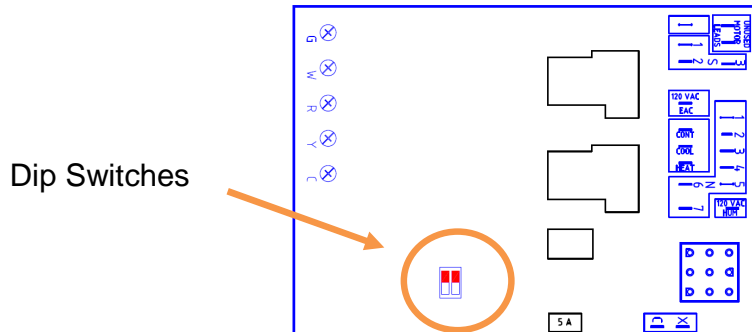
Limit	185°F – Factory set
Fan On	45 seconds after the burner starts
Fan Off	Adjustable on board (see page 17)

THERMOSTAT ANTICIPATOR SETTING

Adjust to thermostat manufacturer's instruction.

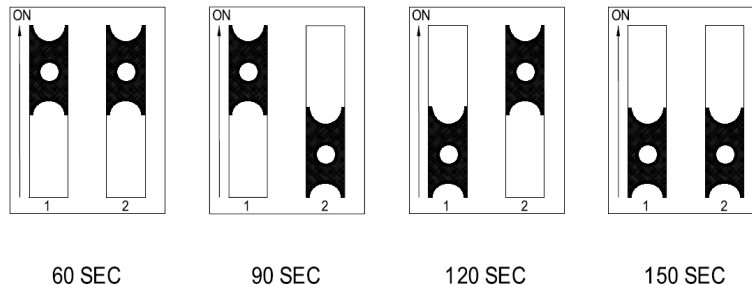
6.2 FAN TIMER CONTROL BOARD (ST9103A 1028)

- “FAN OFF” Dip Switches adjustment



COMFORT ADJUSTMENTS

- Outlet air consistently too warm or too cold - change the blower motor speed to give the specified air temperature rise.
- Outlet air gets too warm and burner shuts down - increase air by changing the blower motor speed to give the specified temperature rise.
- Outlet air is too cold or too warm at the end of the heating cycle after the burner has turned off - adjust the “FAN OFF” dip switch on fan timer control board. Refer to the next figure.



“FAN OFF” Dip Switch
 Dip Switch adjustment (90 seconds) on all unit input
 Except for Beckett burner 0.55 nozzle
 60 seconds adjustment

OFF CYCLE AIR CIRCULATION (Factory settings)

- LO SPEED** All KLR / KLF models have the Lo speed switch for optional constant air circulation during the furnace off cycle.
- “FAN ON”** When “FAN ON” is selected on the thermostat, the blower will run constantly at the blower speed selected on the heating terminal. This is the equivalent of jumping terminals R and G on the ST9103 board.

6.3 ST9103A 1028 CONTROL BOARD SEQUENCE

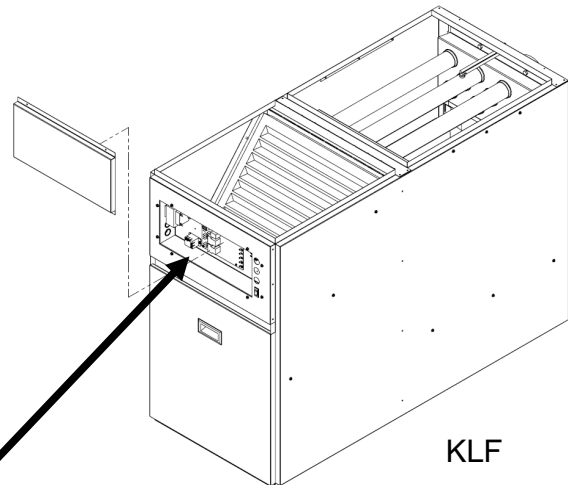
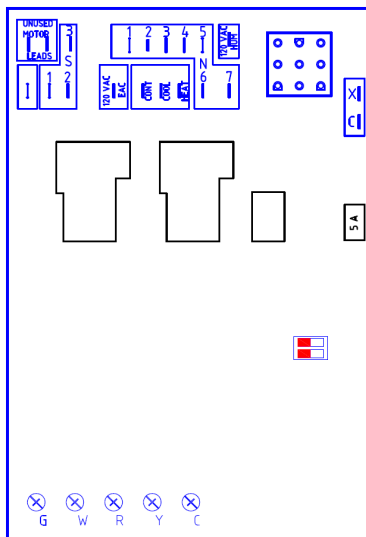
ST9103 Heating Sequence

- 1) Thermostat calls for Heat.
- 2) Burner starts
- 3) Blower starts after **45** seconds
- 4) Burner shuts down after call for heat is satisfied
- 5) Blower stops according to adjusted (FAN OFF) Dip switch selection

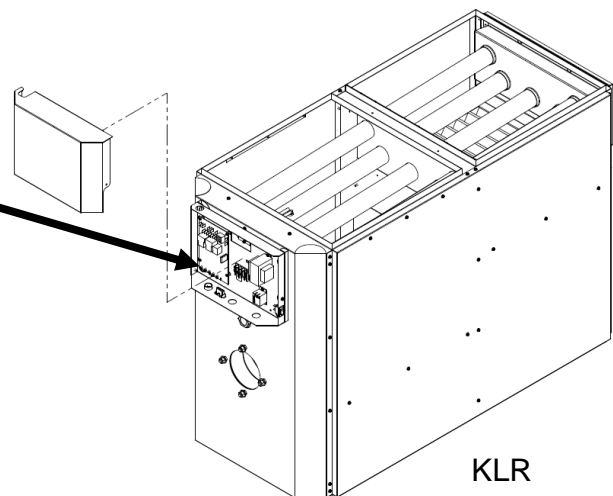
ST9103 Cooling Sequence

- 1) Thermostat calls for cooling
- 2) Blower starts immediately
- 3) Cooling unit starts
- 4) Blower stops immediately after cooling demand is satisfied
- 5) Cooling unit stops

Honeywell ST9103A 1028 Electronic Board



KLF

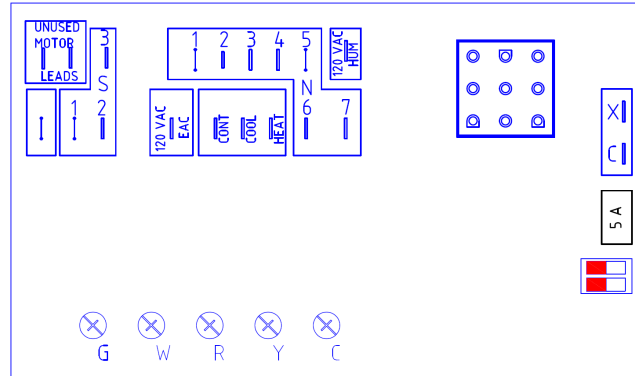


KLR

6.4 Servicing - Fan Timer ST9103A 1028

Trouble shooting the Honeywell electronic board ST9103

Before trouble shooting the board, check for the 5 amp. fuse



For accurate trouble shooting, follow step by step the Trouble Shooting Chart.

Step	Possible Cause	Check-out procedure	Corrective action
No Heat			
1	Incoming supply	Check for 120 Volts between terminal S2 and 3 on electronic fan control	Yes - Move to next step No - Check breaker main power switch
2	Transformer	Check for 120 Volts between terminal S3 and 4 on electronic fan control. Check for 24 Volts between terminal X and C on electronic fan control	Yes - Move to next step No - Check for bad connection Yes - Move to next step No - Change Transformer
3	Electronic Fan control	Check for 24 Volts between R and C Check for 24 Volts between terminal W and C	Yes - Move to next step No - Change the electronic board Yes - Move to next step No - Check thermostat and wiring
Warning: Make sure the quick connect cable is fully inserted on the board			
4	Limit Control	Check for 120 Volts on each terminal of the two limits Check for 120 Volts coming from the main plug-in of the electronic fan control to the limit control Check for 120 Volts coming out of the limit control	Yes - Move to step # 5 No - Move to next step Yes - Move to next step No - Change the electronic fan control Yes - Move to step # 5 No - Failure on the limit control circuit <ul style="list-style-type: none"> . Temperature too high . Bad limit control

Step	Possible Cause	Check-out procedure	Corrective action
No Heat			
5 A	Riello burner application	<p>Check for 120 Volts on the black wire, contact (COM) on the burner activation relay</p> <p>Check if oil primary control is on reset</p> <p>Check for continuity between the two wires yellow and violet on the burner activation relay</p> <p>Check for 120 Volts on the contact (No) of the burner activation relay</p> <p>Check for 120 volts on the orange wire coming to the burner (L)</p>	<p>Yes - Move to next step No - Back to step # 4 or check for bad connection</p> <p>Yes - Press reset button No - Move to the next step</p> <p>Yes - Move to next step No - Change the electronic fan control</p> <p>Yes - Move to next step No - Change the burner activation relay</p> <p>Yes - Failure on the burner No - Change the electronic fan control</p>
5 B	Beckett Burner application	<p>Check for 120 Volts on terminal strip (COM) of the burner activation relay</p> <p>Check if oil primary control is on Reset and by-pass on (TT)</p> <p>Check for continuity between the two wires yellow and violet on the burner activation relay</p> <p>Check for 120 Volts on the contact (NO) on the burner activation relay</p> <p>Check for 120 Volts on the orange wire coming to the burner</p>	<p>Yes - Move to next step No - Back to step # 4 or check bad connection</p> <p>Yes - Press reset button, check by-pass on (TT) No - Move to the next step</p> <p>Yes - Move to next step No - Change the electronic fan control</p> <p>Yes - Move to next step No - Change the burner activation relay</p> <p>Yes - Failure on the burner No - Change the primary control</p>
6	Blower • Low speed Check if the constant low speed switch is ON	<p>Check for 120 Volts at the "CONT" terminal on the electronic fan control</p> <p>Check for 120 Volts on both side of the constant low speed switch</p>	<p>Yes - Move to next step No - Change the electronic fan control</p> <p>Yes - Check "LOW" speed on the blower motor No - Change the switch</p>

Step	Possible Cause	Check-out procedure	Corrective action
No Cooling			
7	Blower High speed	Check for 24 Volts between G and C on electronic fan control Check for 120 Volts at the "COOL" terminal of the electronic fan control	Yes - Move to next step No - Check thermostat and wiring; if it's OK, then change the electronic fan control Yes - Check "COOL" speed on the blower motor No - Change the electronic fan control
Step	Possible Cause	Check-out procedure	Corrective action
Electronic air filter and Humidifier			
8	Condensing unit	Check for 24 volts between terminal Y and C on the electronic fan control	Yes - Compressor ON No - Check thermostat and wiring
9	Electronic air filter	Check for 120 Volts on terminal "EAC" of the electronic fan control (thermostat must call a Heat, Cool or Fan ON demand)	Yes - Electronic filter failure No - Change the electronic fan control
10	Humidifier	Check for 120 Volts on terminal "HUM" of the electronic fan control (burner must be energized)	Yes - Humidifier failure No - Change the electronic fan control

7.0 SERVICE

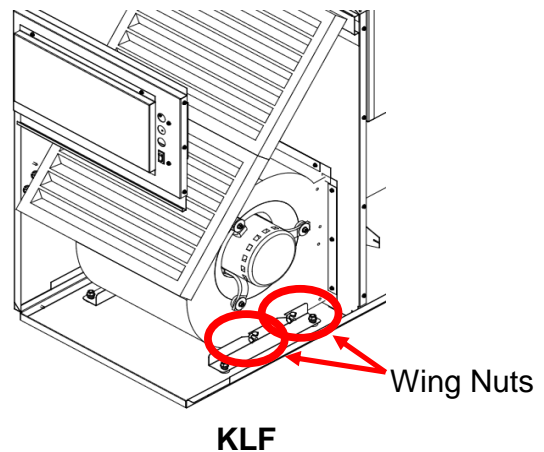
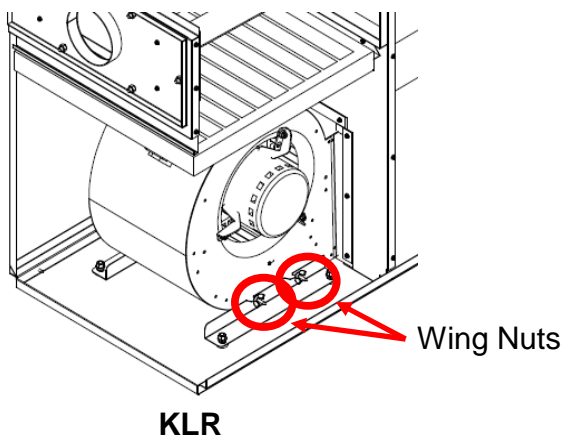
REGULAR MAINTENANCE

Check complete operation **at least once a year**. In Canada see B139, (Maintenance), in Unites States see NFPA 31, for recommended servicing procedure. Clean flue pipes on a regular basis. Replace flue pipes if there is any sign of corrosion or other problems. Gaskets should be checked and may have to be replaced.

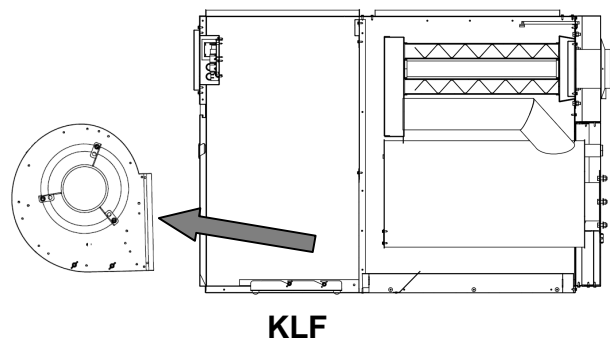
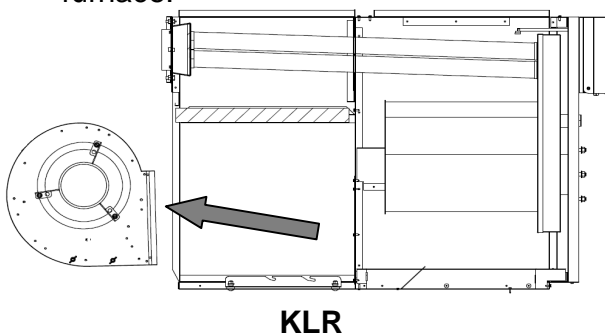
BLOWER REMOVAL

This furnace has a blower sealing system, which is designed to be tight and rattle free. Refer to the instructions and pictures below.

- 1) Shut off oil and power to furnace.
- 2) Open blower compartment.
- 3) For KLF furnace only, remove air filter.
- 4) Disconnect the wiring to the blower motor.
- 5) Remove the four (4) wing nuts securing the blower side to the base panel bracket.



- 6) Slide the blower toward you and then lift the blower straight up. Shift the blower out of the furnace.



Put back the blower assembly using the reverse procedure. Ensure wiring and ground wires are correctly reconnected.

AIR FILTERS

To maintain furnace performance and safety, replace dirty filters at least once every heating season or as required. Use new approved disposable filters of the same size and type. Dirty, clogged or wrong sized filters will impair the furnace performance and may cause the furnace to shut down or overheat.

CHANGING NOZZLE

It is recommended that the nozzle be replaced once a year. If a new nozzle of a different size is installed, change the blower speed according to section **BURNER INSTALLATION AND SPECIFICATIONS** or operating decal as required.

CLEANING HEAT EXCHANGER

Heat exchanger must be inspected every heating season. Refer to instructions and pictures below.

KLR HEAT EXCHANGER

Step 1:

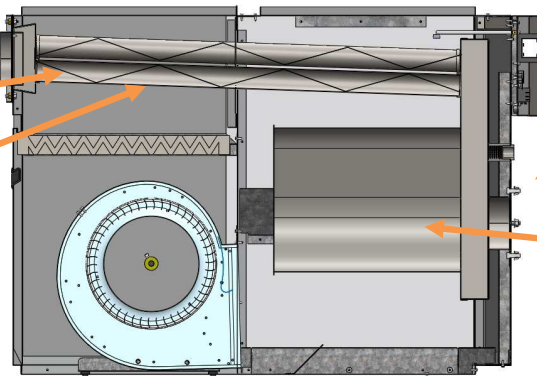
Remove breech plate

Step 2:

Remove baffles

Step 3:

Clean the round tubes, if needed (use a 2" diameter brush)



Step 4:

Remove burner

Step 5:

Clean combustion chamber, if needed

KLF HEAT EXCHANGER

Step 1:

Remove breech plate

Step 2:

Remove the baffles and clean the round tubes, if needed (use a 2" diameter brush)

Step 3:

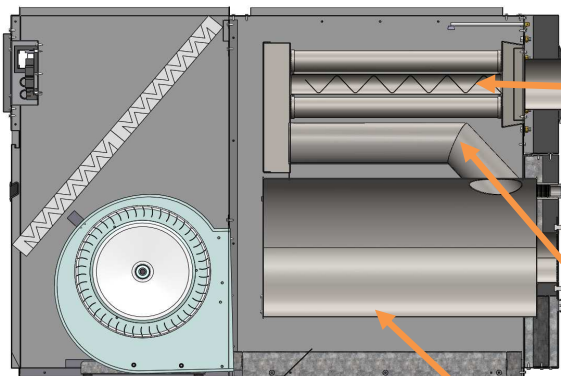
Remove burner

Step 4:

Clean the transition tubes if needed

Step 5:

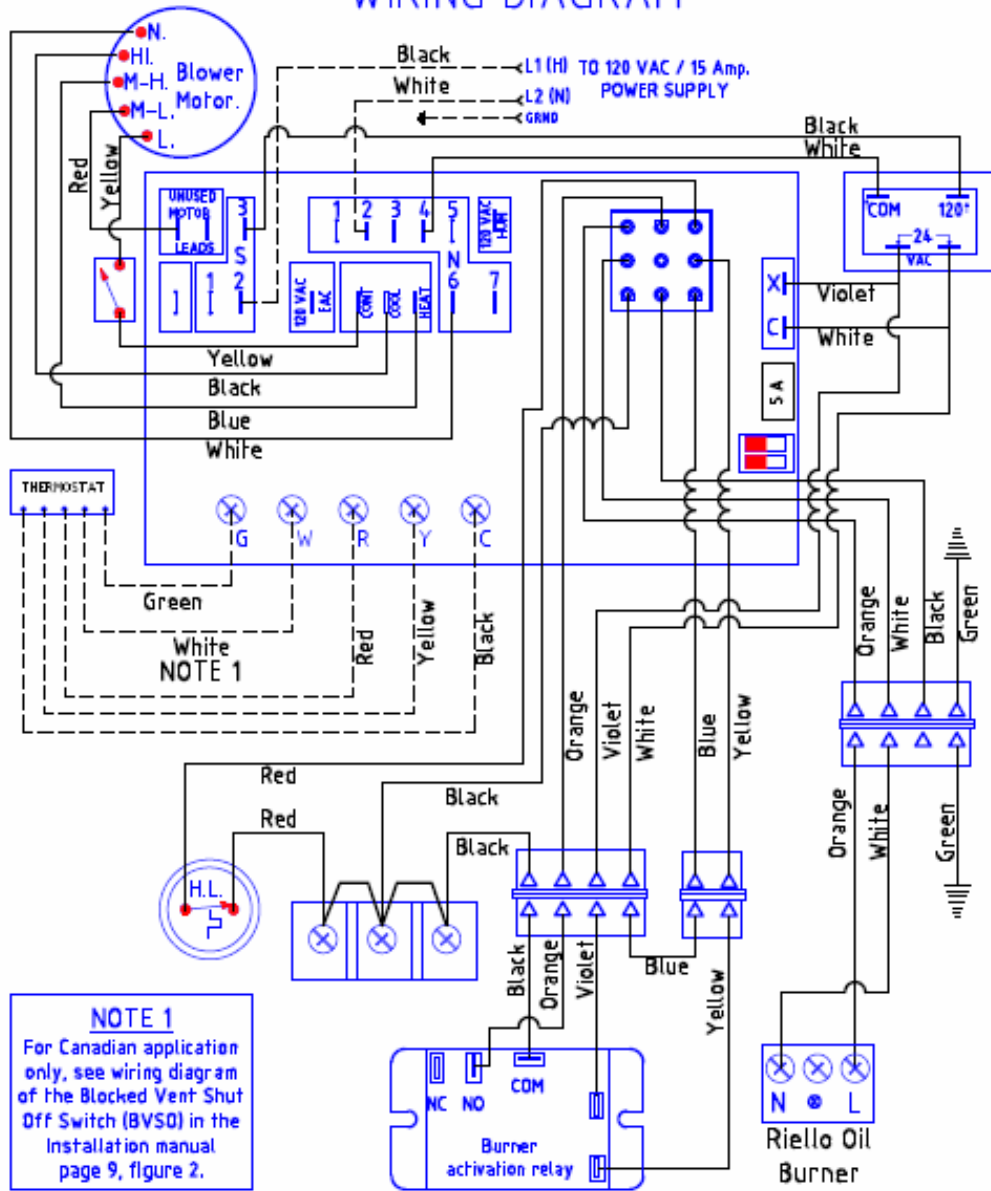
Clean combustion chamber, if needed



8.0 ELECTRICAL / WIRING DIAGRAMS

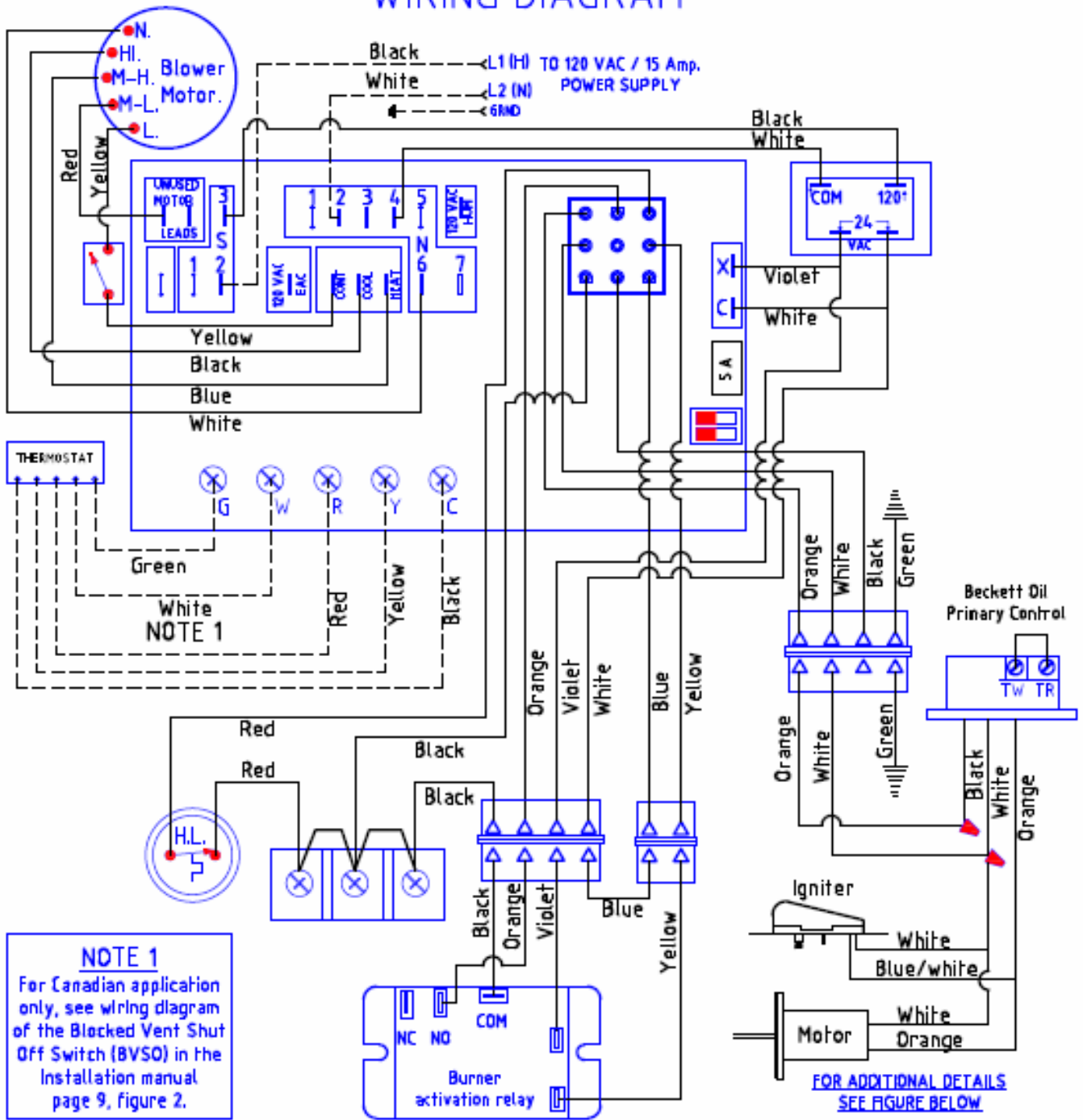
HEATING & COOLING

KLR / KLF RIELLO WIRING DIAGRAM



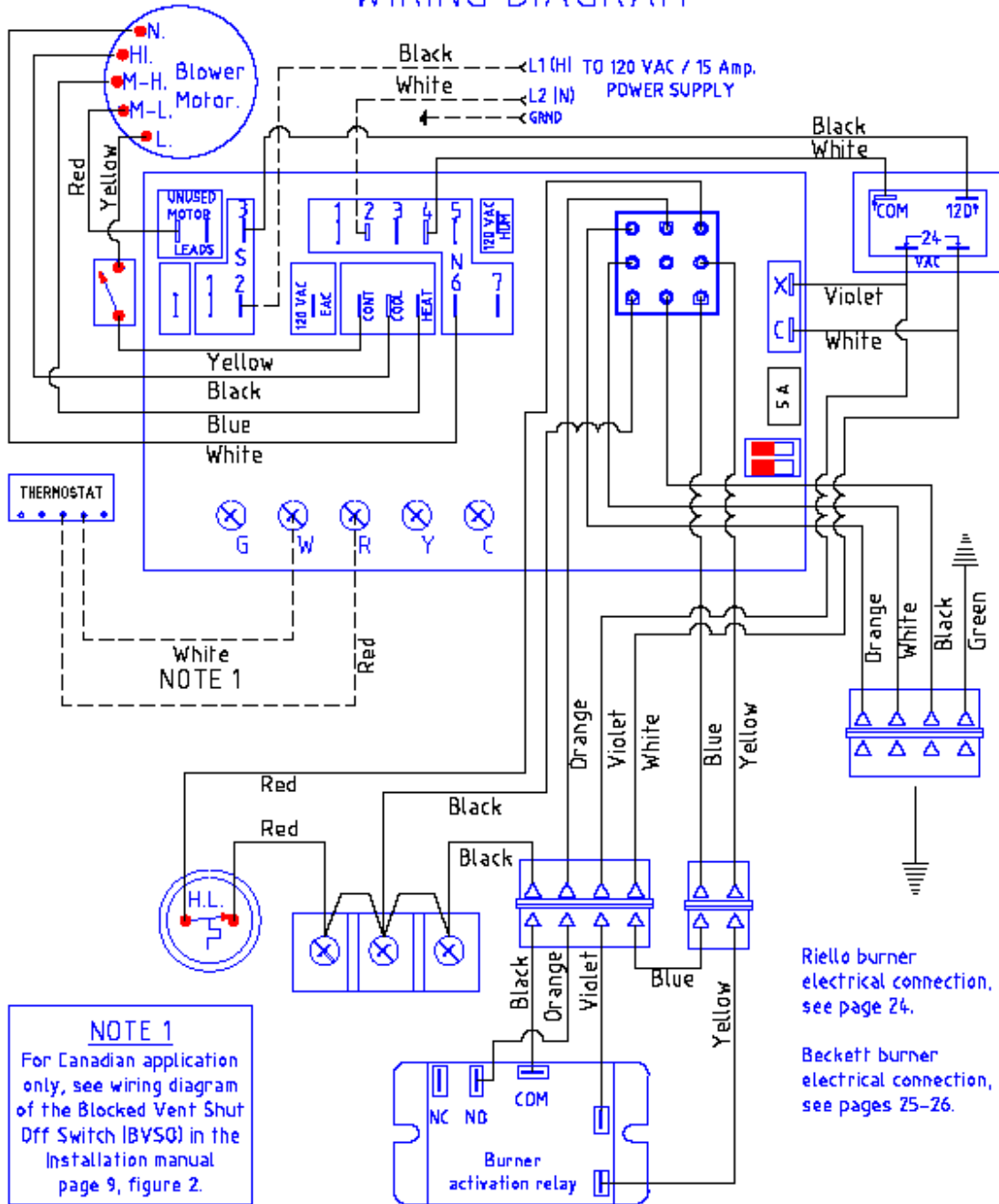
HEATING & COOLING

KLR / KLF BECKETT WIRING DIAGRAM



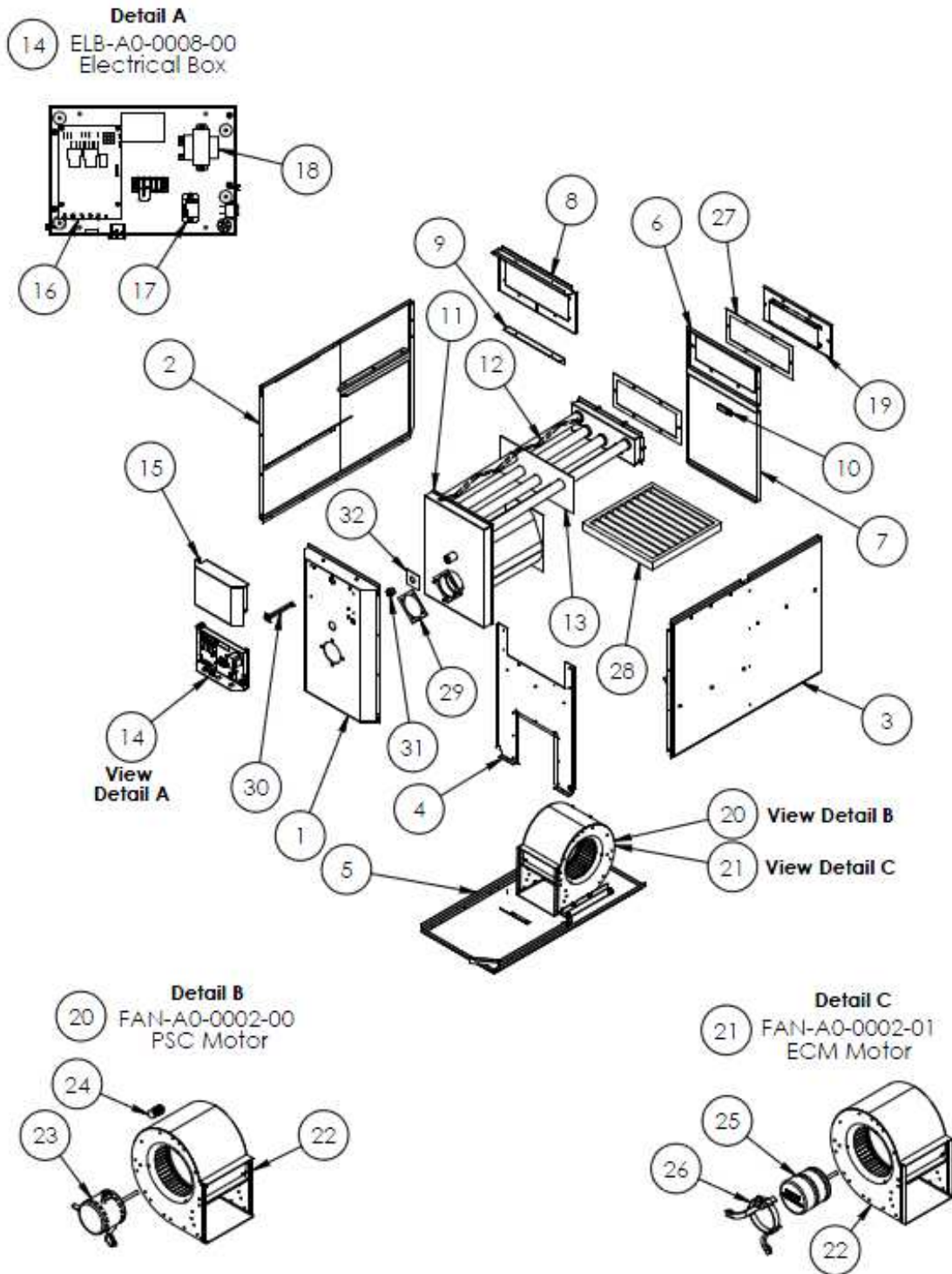
HEATING ONLY (2 WIRES THERMOSTAT)

KLR / KLF WIRING DIAGRAM



9.0 EXPLODED PARTS VIEW

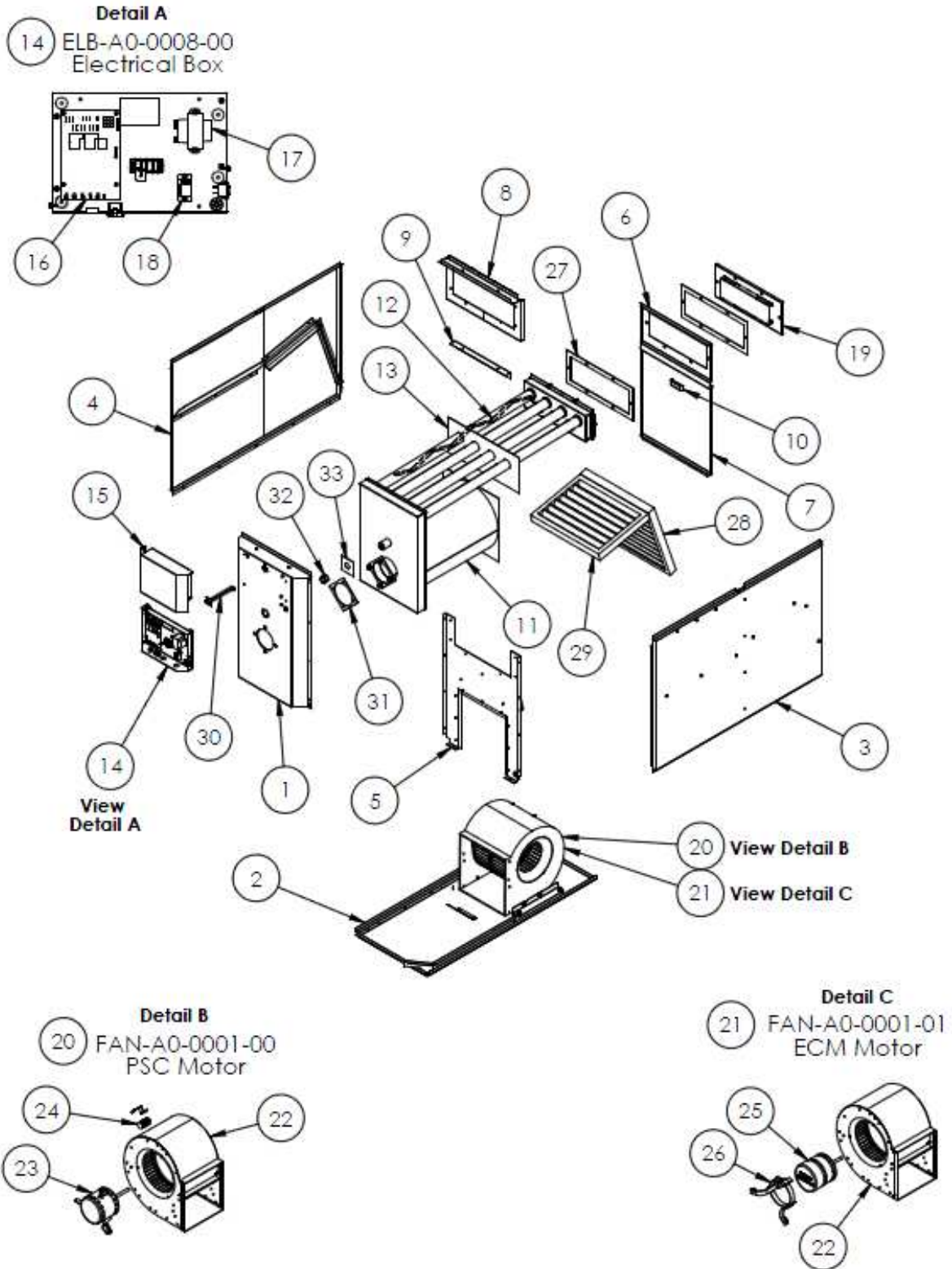
KLR-100 – Exploded Parts View



KLR-100 – Part List

ITEM	PART NUMBER	DESCRIPTION	QTY
1	CAB-A0-0007-00	Front Panel Assembly	1
2	CAB-A0-0005-00	Right Panel Assembly	1
3	CAB-A0-0004-00	Left Panel Assembly	1
4	CAB-A0-0006-00	Divider Panel Assembly	1
5	CAB-A0-0011-00	Base Panel Assembly	1
6	CAB-P0-0080-00	Top Rear Panel	1
7	CAB-P0-0013-00	Blower Door Panel	1
8	CAB-P0-0014-00	Upper Divider	1
9	CAB-P0-0015-00	Divider's Filler Gasket Bracket	1
10	3HN-00-PULL-00	Handle Flush Pocket Pull	1
11	HEX-A0-0001-00	Heat Exchanger Assembly	1
12	HEX-P0-0053-00	Pipe Baffle Low-Boy	5
13	INS-P0-0001-00	Divider Filler Gasket - 5 Holes	1
14	ELB-A0-0008-00	Electrical Assembly - Low-Boy Model	1
15	ELB-P0-0018-00	Cover Electrical Box - Low-Boy Model	1
16	4CB-00-FAN0-00	ST9103A1028 Electronic Board	1
17	4TF-00-40VA-00	Transformer HTC-01A0BB01 40VA	1
18	4RY-00-24V0-00	Relay AE04001 24VAC Form C SPDT 24V	1
19	HEX-A0-0012-00	Rear Collector Assembly	1
20	FAN-A0-0002-00	Fan Motor Assembly KLR-100 PSC Motor	1
21	FAN-A0-0002-01	Fan Motor Assembly KLR-100 ECM Motor	1
22	3BU-10-08DD-00	Blower 10" x 8" Direct Drive (G10-8DD)	1
23	3BM-50-4SDD-01	Motor Blower 1/2 HP Direct Drive 4SP EMERSON	1
24	4CA-00-705M-00	Capacitor 7.5 μ F 370VAC 70C 60 Hz	1
25	3BM-50-ECM0-02	Motor Blower 1/2 HP ECM Ecotech EMERSON	1
26	1SB-00-BUMR-00	Bracket Motor Mounting Direct Drive Blower	1
27	INS-P0-0015-00	Low-Boy Rear Insulation	2
28	3AF-02-2020-01	Filter Air 20" x 20" x 2" Non-Pleated (Strata Type)	1
29	INS-P0-0017-00	Burner's Flange Insulation	1
30	4SD-00-0185-00	Control Limit Snap Disc (185 $^{\circ}$) Au to Reset (L185-30F)	1
31	3SG-0P-1030-5A	Glass Sight Clear 1" NPT Hex With THD Seal	1
32	INS-P0-0018-00	Sight Glass Insulation	1

KLR-200 – Exploded Parts View

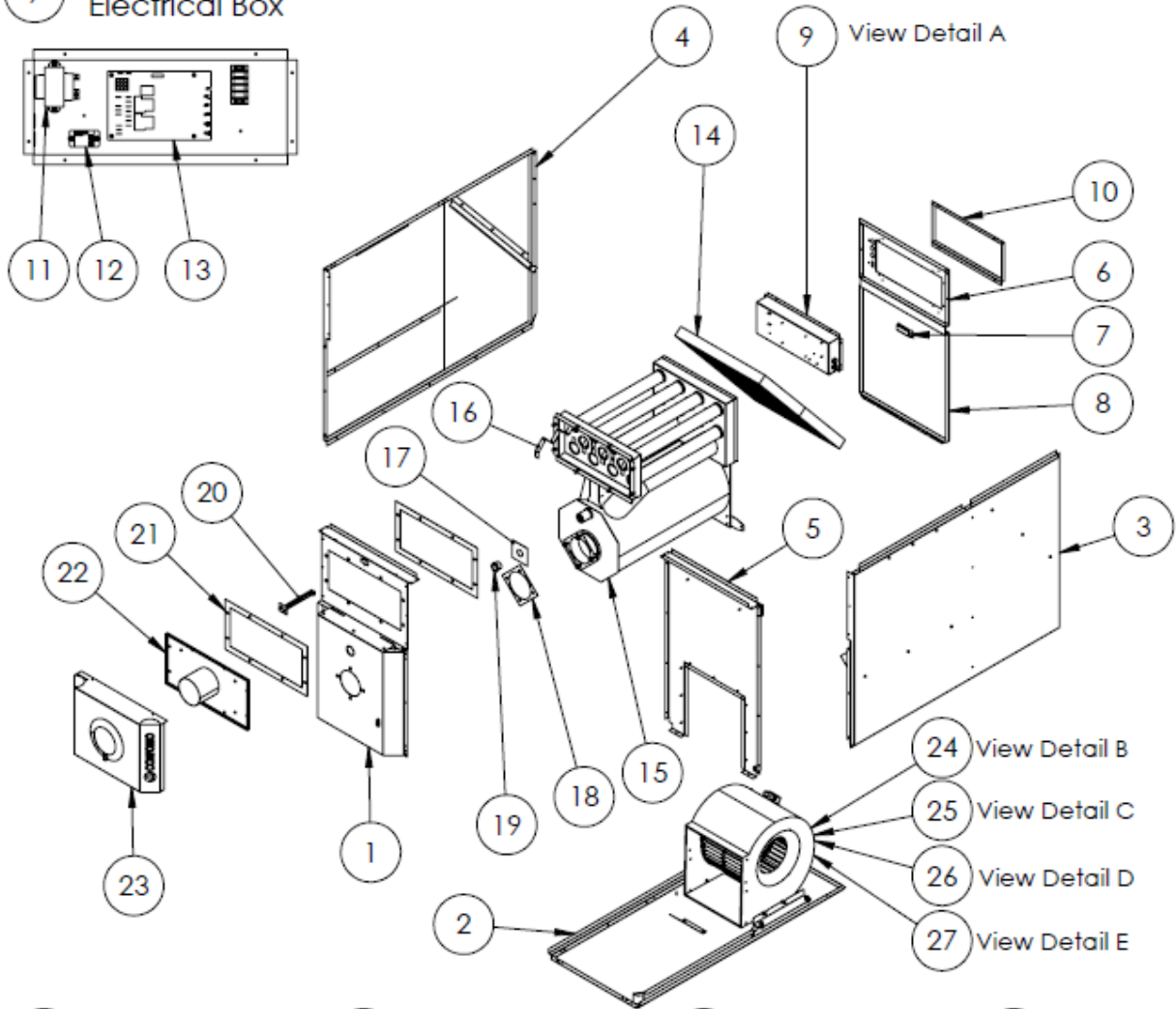


KLR-200 – Part List

ITEM	PART NUMBER	DESCRIPTION	QTY
1	CAB-A0-0007-00	Front Panel Assembly	1
2	CAB-A0-0012-00	Base Panel Assembly	1
3	CAB-A0-0009-00	Right Panel Assembly	1
4	CAB-A0-0008-00	Left Panel Assembly	1
5	CAB-A0-0010-00	Divider Panel Assembly	1
6	CAB-P0-0080-00	Top Rear Panel	1
7	CAB-P0-0013-00	Blower Door Panel	1
8	CAB-P0-0014-00	Upper Divider	1
9	CAB-P0-0015-00	Divider's Filler Gasket Bracket	1
10	3HN-00-PULL-00	Handle Flush Pocket Pull	1
11	HEX-A0-0003-00	Heat Exchanger Assembly	1
12	HEX-P0-0053-00	Pipe Baffle Low-Boy	7
13	INS-P0-0008-00	Divider Filler Gasket - 7 Holes	1
14	ELB-A0-0008-00	Electrical Assembly - Low-Boy Model	1
15	ELB-P0-0018-00	Cover Electrical Box - Low-Boy Model	1
16	4CB-00-FAN0-00	ST9103A1028 Electronic Board	1
17	4TF-00-40VA-00	Transformer HTC-01A0BB01 40VA	1
18	4RY-00-24V0-00	Relay AE04001 24VAC Form C SPDT 24V	1
19	HEX-A0-0012-00	Rear Collector Assembly	1
20	FAN-A0-0001-00	Fan Motor Assembly KLR-200 PSC Motor	1
21	FAN-A0-0001-01	Fan Motor Assembly KLR-200 ECM Motor	1
22	3BU-12-00DD-00	Blower 12" Direct Drive (GT12-10DD)	1
23	3BM-75-4SDD-01	Motor Blower 3/4 HP Direct Drive 4SP EMERSON	1
24	4CA-00-156M-2B	Capacitor 15 μ F 370VAC 70C 60 Hz	1
25	3BM-75-4SDD-02	Motor Blower 3/4 HP ECM Ecotech EMERSON	1
26	1SB-00-BUMR-00	Bracket Motor Mounting Direct Drive Blower	1
27	INS-P0-0015-00	Low-Boy Rear Insulation	2
28	3AF-02-2020-01	Filter Air 20" x 20" x 2" Non-Pleated (Strata Type)	1
29	3AF-02-1520-01	Filter Air 15" x 20" x 2" Non-Pleated (Strata Type)	1
30	4SD-00-0185-00	Control Limit Snap Disc (185 $^{\circ}$) Au to Reset (L185-30F)	1
31	INS-P0-0017-00	Burner's Flange Insulation	1
32	3SG-0P-1030-5A	Glass Sight Clear 1" NPT Hex With THD Seal	1
33	INS-P0-0018-00	Sight Glass Insulation	1

KLF-200 – Exploded Parts View

Detail A
 9 ELB-A0-0018-00
 Electrical Box

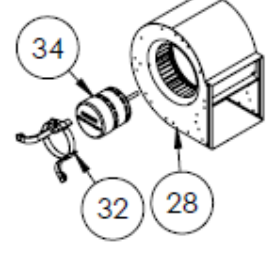
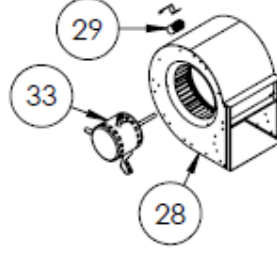
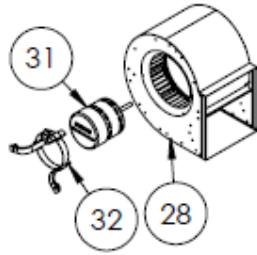
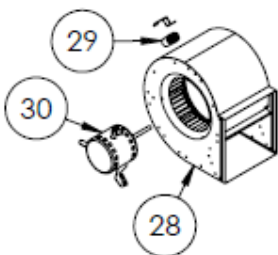


24 Detail B
 FAN-A0-0001-00
 PSC Motor 3/4 HP

25 Detail C
 FAN-A0-0001-01
 ECM Motor 3/4 HP

26 Detail D
 FAN-A0-0006-00
 PSC Motor 1/2 HP

27 Detail E
 FAN-A0-0006-01
 ECM Motor 1/2 HP



KLF-200 – Part List

ITEM	PART NUMBER	DESCRIPTION	QTY
1	CAB-A0-0049-00	Front Panel Assembly	1
2	CAB-A0-0052-00	Base Panel Assembly	1
3	CAB-A0-0051-00	Right Panel Assembly	1
4	CAB-A0-0050-00	Left Panel Assembly	1
5	CAB-A0-0053-00	Divider Panel Assembly	1
6	CAB-P0-0164-00	Top Rear Panel	1
7	3HN-00-PULL-00	Handle Flush Pocket Pull	1
8	CAB-P0-0013-00	Blower Door Panel	1
9	ELB-A0-0018-00	Electrical Box Assembly	1
10	CAB-P0-0128-00	Cover Electrical Box	1
11	4TF-00-40VA-00	Transformer HTC-01A0BB01 40VA	1
12	4RY-00-24V0-00	Relay AE04001 24VAC Form C SPDT 24V	1
13	4CB-00-FAN0-00	ST9103A1028 Electronic Board	1
14	3AF-02-1520-01	Filter Air 15" x 20" x 2" Non-Pleated (Strata Type)	2
15	HEX-A0-0011-00	Heat Exchanger Assembly	1
16	HEX-P0-0064-00	Pipe Baffle Hi-Boy	11
17	INS-P0-0018-00	Sight Glass Insulation	1
18	INS-P0-0017-00	Burner's Flange Insulation	1
19	3SG-0P-1030-5A	Glass Sight Clear 1" NPT Hex With THD Seal	1
20	4SD-00-0185-00	Control Limit Snap Disc (185°) Au to Reset (L185-30F)	1
21	INS-P0-0020-00	Hi-Boy Front Insulation	2
22	HEX-A0-0010-00	Front Collector Assembly	1
23	CAB-P0-0156-00	Front Door Panel	1
24	FAN-A0-0001-00	Fan Motor Assembly KLR-200 PSC Motor	1
25	FAN-A0-0001-01	Fan Motor Assembly KLR-200 ECM Motor	1
26	FAN-A0-0006-00	Fan Motor Assembly KLF-200 PSC Motor	1
27	FAN-A0-0006-01	Fan Motor Assembly KLF-200 ECM Motor	1
28	3BU-12-00DD-00	Blower 12" Direct Drive (GT12-10DD)	1
29	4CA-00-156M-2B	Capacitor 15 μ F 370VAC 70C 60 Hz	1
30	3BM-75-4SDD-01	Motor Blower 3/4 HP Direct Drive 4SP EMERSON	1
31	3BM-75-4SDD-02	Motor Blower 3/4 HP ECM Ecotech EMERSON	1
32	1SB-00-BUMR-00	Bracket Motor Mounting Direct Drive Blower	1
33	3BM-50-4SDD-01	Motor Blower 1/2 HP Direct Drive 4SP EMERSON	1
34	3BM-50-ECM0-02	Motor Blower 1/2 HP ECM Ecotech EMERSON	1

10. START-UP TEST RESULTS

Model: _____ Serial Number: _____

Lowboy KLR _____ Lowboy KLF _____

Date of installation: _____

Installer (name & address): _____

START-UP TEST RESULTS

Size of unit (Btu/h): _____

Nozzle: _____ Oil Pressure (psi): _____

Chimney _____ Direct vent system (DVS) _____

Burner adjustments:

RIELLO **F3** ___ **BF3** ___ RIELLO **F5** ___ **BF5** ___ BECKETT **AFG-LII** ___ Beckett **AFG-F3** ___

Turbulator: _____

Air band: _____

Air Gate: _____

Air shutter: _____

Smoke result: #0 _____ TRACE _____ #1 _____

Combustion Results: _____ CO₂ %

Chimney draft: _____ " W.C.

Ambient temperature: _____ °F

Gross flue temperature: _____ °F

Temperature rise: _____ °F (see page 35)

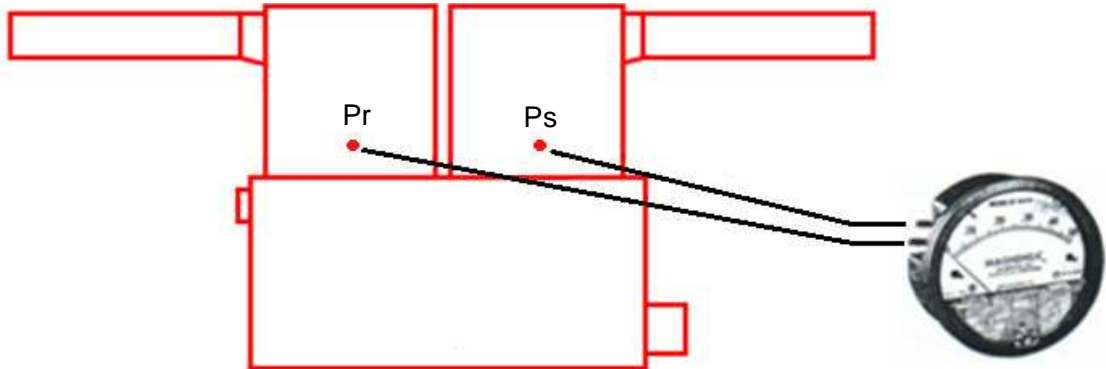
External total static pressure: _____ " W.C. (see page 35)

A/C Coil total resistance: _____ " W.C. (see page 35)

TEST PROCEDURES

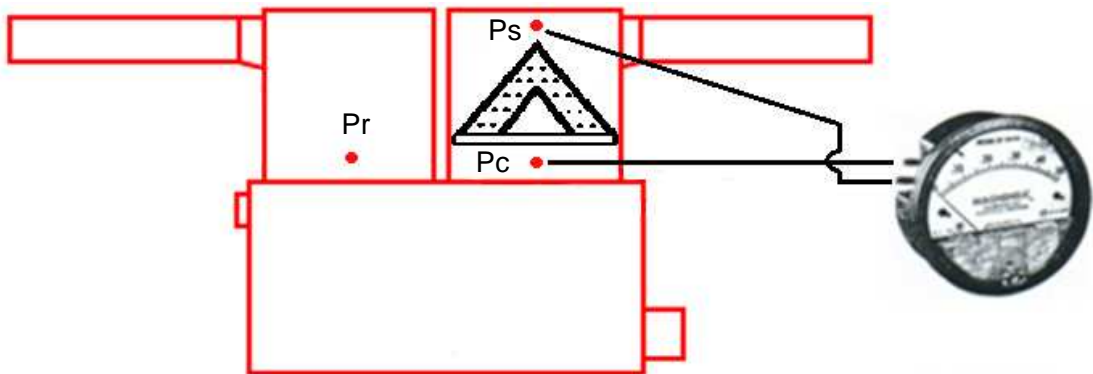
External Total Static Pressure Reading

Total Static Pressure = Supply Pressure (Ps) + Return Pressure (Pr)



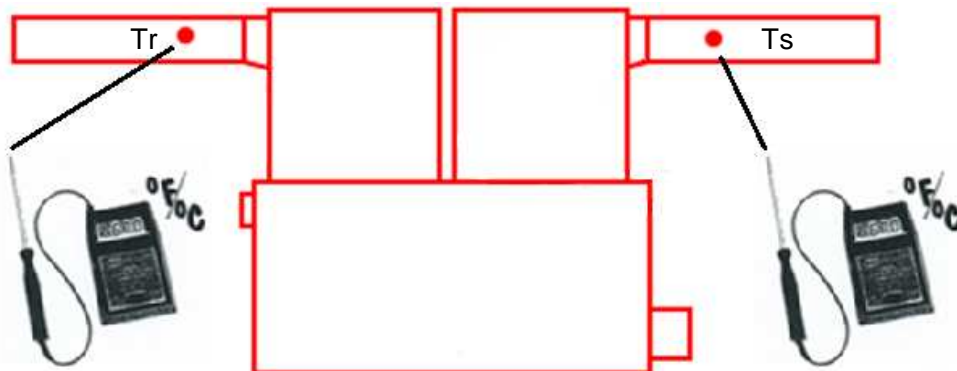
A/C Coil Total Resistance Reading

A/C coil total resistance = Coil Pressure (Pc) - Supply Pressure (Ps)



Temperature Rise Reading ***

Temperature rise = Supply Temp. (Ts) - Return Temp. (Tr)



*** Probe must not be in direct sight of heat exchanger.



Granby Furnaces Inc. manufactures a full line of oil-fired furnaces in its 70,000 square feet facility. Granby products are sold across Canada and the United States through a distribution network.

Our team of engineers, designers and technicians continually research and develop products to go beyond the demanding specifications of today's certifications.



Thank you for choosis